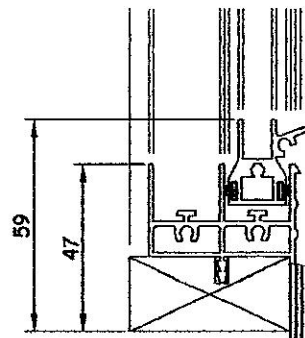
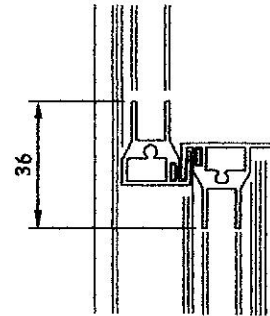
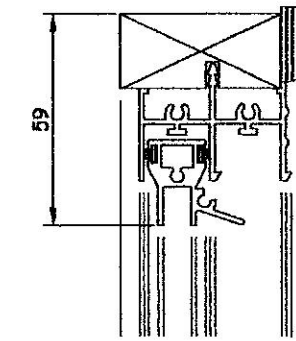


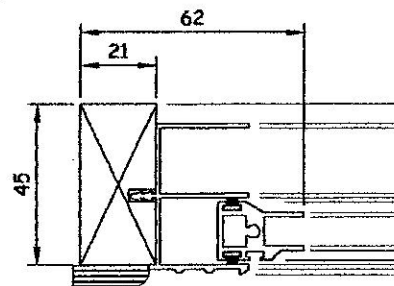
Typical elevation of a Vertical Slider.

Specification:

Aluminium sections are to be extruded from 6060 alloy EN755-2.
 EP White Gloss - 60 Micron finish.
 All aluminium to be powder coated to BS 6496.
 Frames and sashes are to be mechanically jointed using BZP screws to DIN 7982 - 8 microns.
 The sub-frame is from English hardwood, kiln dried to KD:FAS1F.
 Sub-frames are butt jointed using BZP screws to DIN 965 - 8 microns.
 Standard sizes 45mm x 21mm & 62mm x 21mm.
 Non-standard sizes are available to order.
 All frames are factory glazed.
 A choice of 4mm or 6mm clear float annealed or toughened.
 6.4mm clear laminate or 6.4mm Acoustic Glass.
 Gaskets are in accordance with BS 2782 in a standard colour of BLACK.
 All sash polypropylene woolpiles are to BS 7386.
 All frames include upvc or timber trim



Section through the Vertical Slider.



Vertical Slider Jamb detail.

Revision:

Drg. No.

BVS FF

Scale:

1:20 & 1:2 (at A4)

Client:

Drawn by:

Nick Hough

Architect:

Date:

Contract:

**Balanced Vertical Slider details.
 Face Fix.**

Rob Albury
 Secondary Double Glazing
 01327 314417
 rob.albury@btinternet.com